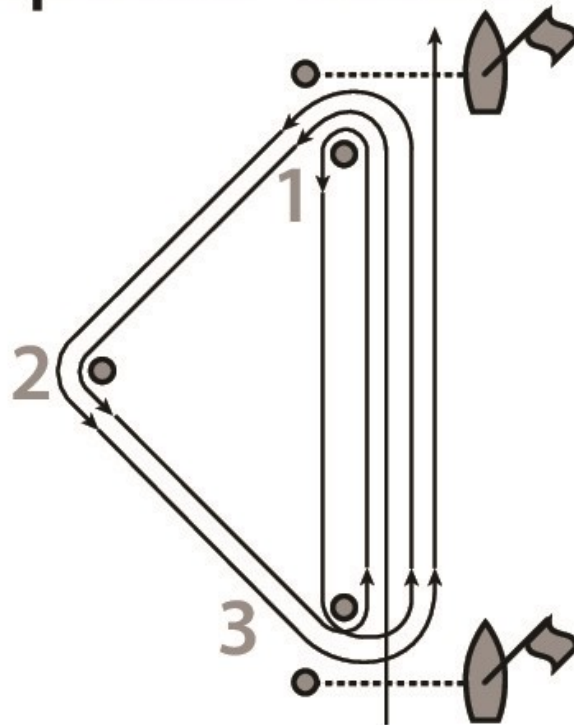


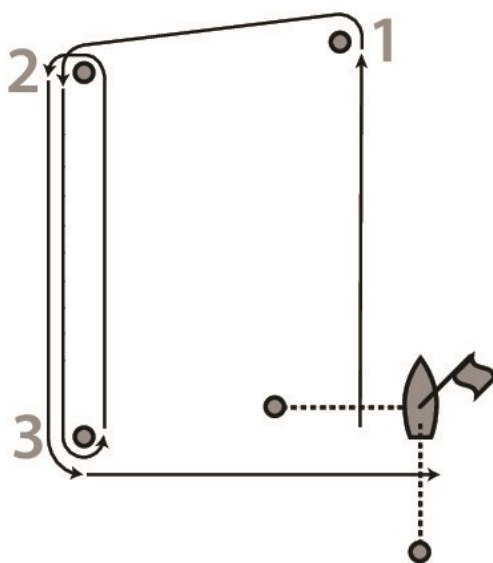
Special Course 1



Start -1-2-3-1-3-1-2-3-Finish

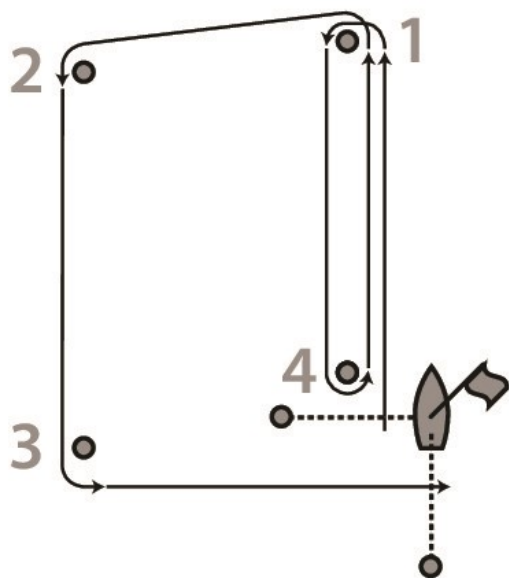
The Finish Committee Boat may be positioned between Marks 1 & 2.

Special Course 2



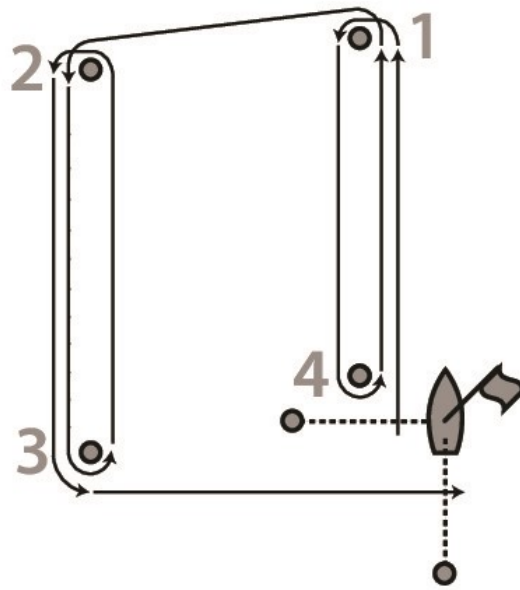
Start -1-2-3-2-3-Finish

Special Course 3



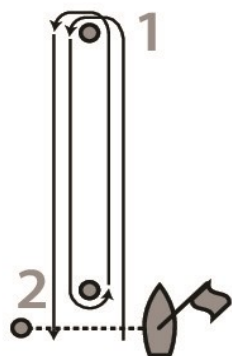
Start -1-4-1-2-3-Finish

Special Course 4



Start -1-4-1-2-3-2-3-Finish

Special Course 5



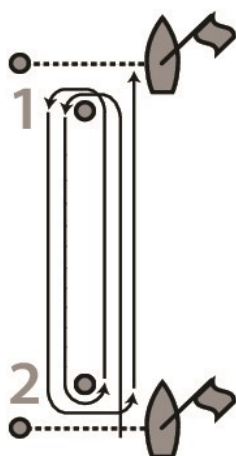
1 Round: Start -1-Finish

2 Rounds: Start -1-2-1- 2-Finish

The Start & Finish Committee boat may be positioned in the middle of the upwind leg

In the event of there being a leeward gate, boats must pass through it on the way to the finish line

Special Course 6



1 Round: Start -1-2-Finish

2 Rounds: Start -1-2-1- 2-Finish

Number of rounds indicated by the number of diamonds on a course board. The following course boards may also be used:

+W = Windward spreader

+L = Leeward spreader

+G = Leeward gate

The Start & Finish Committee boat may be positioned in the middle of the upwind leg

In the event of there being a windward gate, boats must pass through it on the way to the finish line